

# PRODUCT INFORMATION PACKET

Model No: 080T17V5328  
Catalog No: R721  
1/3, 1800, TENV, 80, 3/60/208-230/460  
Washdown Duty



Regal and Marathon are trademarks of Regal Beloit Corporation or one of its affiliated companies.  
©2018 Regal Beloit Corporation, All Rights Reserved. MC017097E



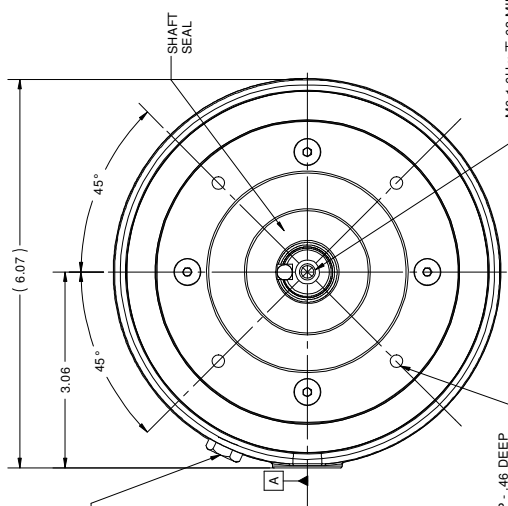
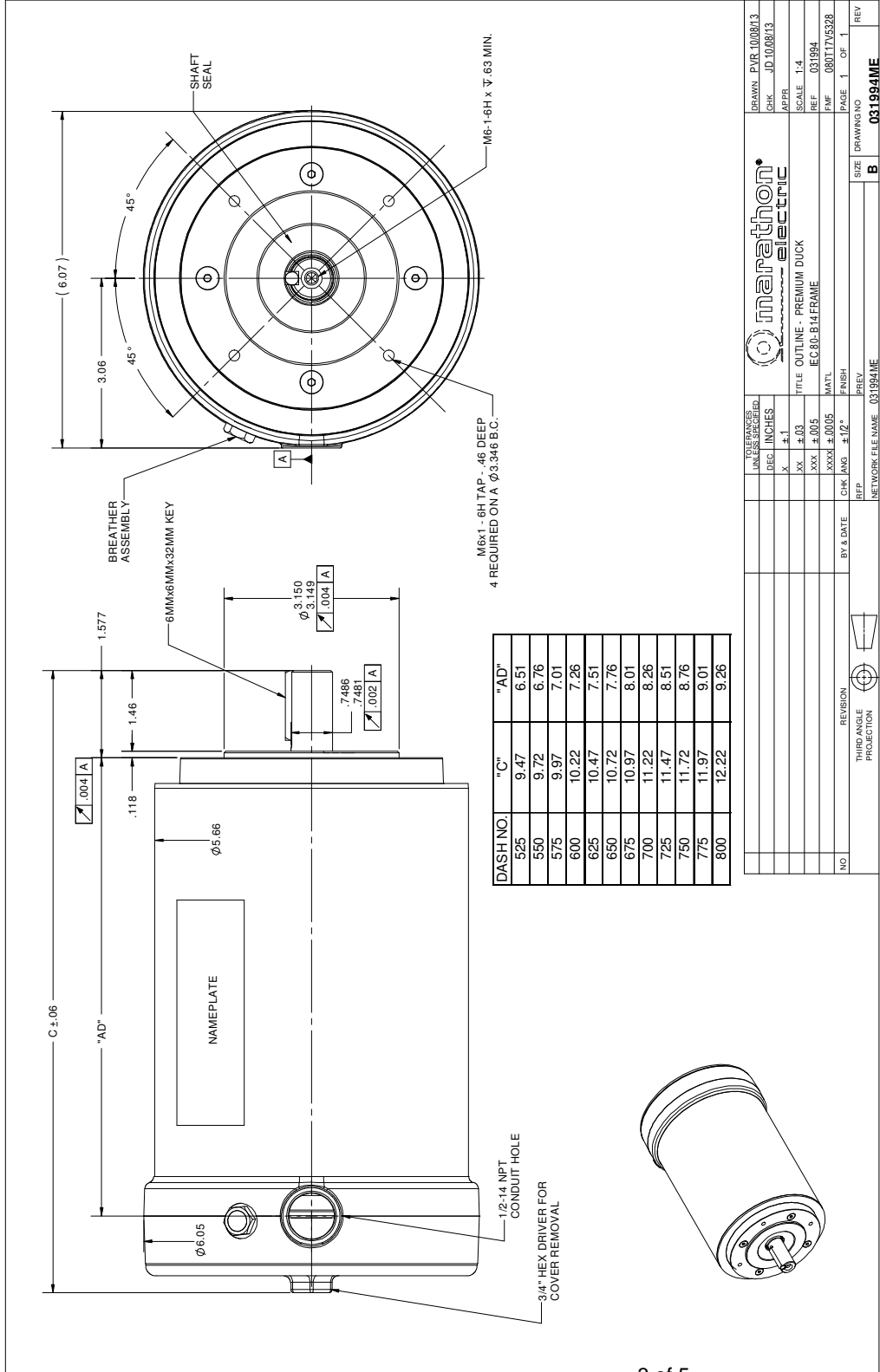
### Nameplate Specifications

Output HP	<b>0.33 Hp</b>	Output KW	<b>0.25 kW</b>
Frequency	<b>60 Hz</b>	Voltage	<b>208-230/460 V</b>
Current	<b>1.3-1.3/0.65 A</b>	Speed	<b>1725 rpm</b>
Service Factor	<b>1.15</b>	Phase	<b>3</b>
Efficiency	<b>72 %</b>	Duty	<b>Continuous</b>
Insulation Class	<b>F</b>	Design Code	<b>B</b>
KVA Code	<b>K</b>	Frame	<b>80</b>
Enclosure	<b>Totally Enclosed Non Ventilated</b>	Overload Protector	<b>No</b>
Ambient Temperature	<b>40 °C</b>	Drive End Bearing Size	<b>6204</b>
Opp Drive End Bearing Size	<b>6204</b>	UL	<b>Recognized</b>
CSA	<b>Y</b>	CE	<b>Y</b>
IP Code	<b>56</b>		

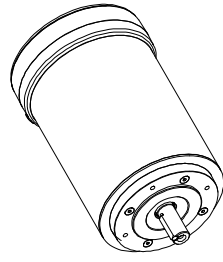
### Technical Specifications

Electrical Type	<b>Squirrel Cage Induction Run</b>	Starting Method	<b>Across The Line</b>
Poles	<b>4</b>	Rotation	<b>Reversible</b>
Mounting	<b>Round</b>	Motor Orientation	<b>Horizontal</b>
Drive End Bearing	<b>Ball</b>	Opp Drive End Bearing	<b>Ball</b>
Frame Material	<b>Stainless Steel</b>	Shaft Type	<b>IEC</b>
Overall Length	<b>9.72 in</b>	Shaft Diameter	<b>0.750 in</b>
Shaft Extension	<b>1.57 in</b>	Assembly/Box Mounting	<b>F1 Only</b>
Outline Drawing	<b>031994ME-550</b>	Connection Diagram	<b>005010.01ME</b>

This is an uncontrolled document once printed or downloaded and is subject to change without notice. Date Created: 06/29/2018



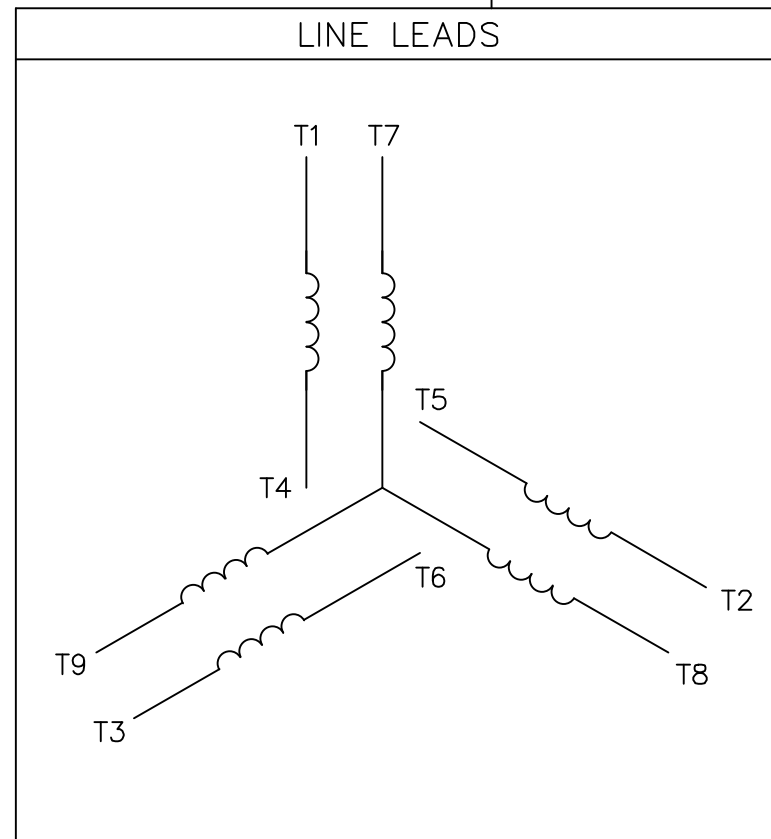
DASH NO.	"C"	"AD"
525	9.47	6.51
550	9.72	6.76
575	9.97	7.01
600	10.22	7.26
625	10.47	7.51
650	10.72	7.76
675	10.97	8.01
700	11.22	8.26
725	11.47	8.51
750	11.72	8.76
775	11.97	9.01
800	12.22	9.26



TOLERANCES UNLESS SPECIFIED		DRAWN: PVR 10/08/13	
DEC	INCHES	CHK	JD 10/08/13
X	±.1	APPR	
XX	±.03	SCALE	1:4
XXX	±.005	TITLE	OUTLINE - PREMIUM DUCK
XXXX	±.0005	REF	031994
NO		FINISH	EC-80L-B14 FRAME
REP.	BY & DATE	CHK LANG	FNF 08/07/13 28
		FINISH	PAGE 1 OF 1
		REV	DRAWING NO
			031994ME
		SIZE	B
		NETWORK FILE NAME	031994ME



VIEW FROM OUTSIDE OF MOTOR AT SWITCH END.



VOLTAGE	L1	L2	L3	JOIN & INSULATE
HIGH	T1	T2	T3	(T4,T7) (T5,T8) (T6,T9)
LOW	T1,T7	T2,T8	T3,T9	T4,T5,T6

TOLERANCES UNLESS SPECIFIED		DRAWN RDW 04/12/02		MARATHON ELECTRIC		CHK			
DEC.	INCHES			TITLE		APPD			
.X	±.1			EXTERNAL WIRING DIAGRAM		SCALE 1=1			
.XX	±.01			3 PHASE W/O PROTECTOR		REF FIG.2-51			
.XXX	±.005			MAT'L. DECAL - 004014		FMF			
.XXXX	±.0005			FINISH		PREV			
NO.	REVISION	BY & DATE	CHK	ANG	±1/2"	SIZE	DRAWING NO.	REV.	
			RFP	04/12/02	CAD FILE	00501001ME	A	005010-01ME	
			DIST						

THIS DRAWING IN DESIGN AND DETAIL IS OUR PROPERTY AND MUST NOT BE USED EXCEPT IN CONNECTION WITH OUR WORK ALL RIGHTS OF DESIGN AND INVENTION ARE RESERVED THIS IS AN ELECTRONICALLY GENERATED DOCUMENT - DO NOT SCALE THIS PRINT

